

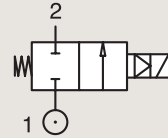
# 2/2

VALVES FOR DRY OR LUBRICATED AIR, NEUTRAL GASES AND LIQUIDS  
PILOT OPERATED

BRASS

PIPE MOUNTING

NORMALLY CLOSED



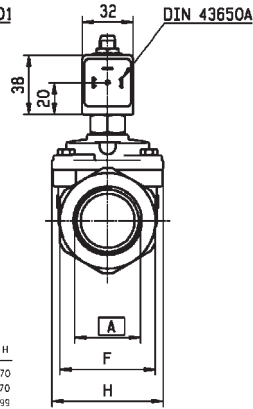
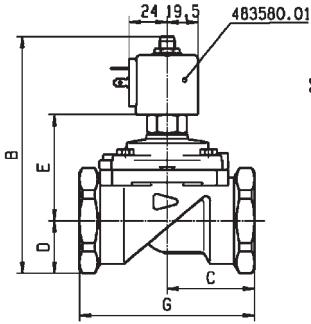
| Port size (BSP) | Orifice Ø<br>mm | Flow factors |                         |                         | Operating Pressure Differential Max(MOPD) |           |           | Fluid Temp. |           | Seat Seal | Valve Ref.           | Housing Ref. | Coil Ref. | IS | Power   |         | Coil Group | Dwg. No. |
|-----------------|-----------------|--------------|-------------------------|-------------------------|---|-----------|-----------|-------------|-----------|-----------|----------------------|--------------|-----------|----|---------|---------|------------|----------|
|                 |                 | Kv<br>l/min  | KV<br>m <sup>2</sup> /h | Qn<br>m <sup>3</sup> /h | Min<br>bar                                | AC<br>bar | DC<br>bar | Min<br>°C   | Max<br>°C |           |                      |              |           |    | AC<br>W | DC<br>W |            |          |
|                 |                 |              |                         |                         |   |           |           |             |           |           |                      |              |           |    |         |         |            |          |
| 1 1/2"          | 40              | 425          | 25.5                    | 31500                   | 0.5                                       | -         | 10        | -10         | 55        | NBR       | 321G3990             | 2995         | 48358001  | *  | -       | 0.5-3   | 7.0/8.0    | 8113     |
|                 | 40              | 425          | 25.5                    | 31500                   | 0.5                                       | -         | 10        | -10         | 75        | NBR       | 321G3990             | -            | 495910    | *  | -       | 0.3-1.2 | 7.0/8.0    | 8113     |
|                 | 40              | 420          | 25.2                    | 31500                   | 0.3                                       | 16        | 7         | -10         | 100       | NBR       | E321G39 <sub>1</sub> | 2995         | 481865    | 8  | 9       | 2.0     | 3442       |          |
|                 | 40              | 420          | 25.2                    | 31500                   | 0.3                                       | 16        | 8         | -10         | 100       | NBR       | E321G39 <sub>1</sub> | 4270         | 481000    | 8  | 8       | 2.0     | 3442       |          |
|                 | 40              | 420          | 25.2                    | 31500                   | 0.3                                       | 16        | 16        | -10         | 100       | NBR       | E321G39 <sub>1</sub> | 4270         | 486265    | 14 | 14      | 2.0     | 3442       |          |
|                 | 40              | 420          | 25.2                    | 31500                   | 0.3                                       | 16        | 7         | -10         | 100       | FKM       | E321G3906            | 2995         | 481865    | 8  | 9       | 2.0     | 3442       |          |
|                 | 40              | 420          | 25.2                    | 31500                   | 0.3                                       | 16        | 8         | -10         | 120       | FKM       | E321G3906            | 4270         | 481000    | 8  | 8       | 2.0     | 3442       |          |
|                 | 40              | 420          | 25.2                    | 31500                   | 0.3                                       | 16        | 16        | -10         | 100       | FKM       | E321G3906            | 4270         | 486265    | 14 | 14      | 2.0     | 3442       |          |
| 2"              | 40              | 540          | 32.4                    | 38100                   | 0.5                                       | -         | 10        | -10         | 55        | FKM       | 321G4090             | 2995         | 48358001  | *  | -       | 0.5-3   | 7.0/8.0    | 8113     |
|                 | 40              | 540          | 32.4                    | 38100                   | 0.5                                       | -         | 10        | -10         | 75        | FKM       | 321G4090             | -            | 495910    | *  | -       | 0.3-1.2 | 7.0/8.0    | 8113     |
|                 | 40              | 540          | 32.4                    | 40000                   | 0.3                                       | 16        | 7         | -10         | 100       | NBR       | E321G40 <sub>1</sub> | 2995         | 481865    | 8  | 9       | 2.0     | 3442       |          |
|                 | 40              | 540          | 32.4                    | 40000                   | 0.3                                       | 16        | 8         | -10         | 100       | NBR       | E321G40 <sub>1</sub> | 4270         | 481000    | 8  | 8       | 2.0     | 3442       |          |
|                 | 40              | 540          | 32.4                    | 40000                   | 0.3                                       | 16        | 16        | -10         | 100       | NBR       | E321G40 <sub>1</sub> | 4270         | 486265    | 14 | 14      | 2.0     | 3442       |          |
|                 | 40              | 540          | 32.4                    | 40000                   | 0.3                                       | 16        | 7         | -10         | 100       | FKM       | E321G4006            | 2995         | 481865    | 8  | 9       | 2.0     | 3442       |          |
|                 | 40              | 540          | 32.4                    | 40000                   | 0.3                                       | 16        | 8         | -10         | 120       | FKM       | E321G4006            | 4270         | 481000    | 8  | 8       | 2.0     | 3442       |          |
|                 | 40              | 540          | 32.4                    | 40000                   | 0.3                                       | 16        | 16        | -10         | 120       | FKM       | E321G4006            | 4270         | 486265    | 14 | 14      | 2.0     | 3442       |          |

Notes:

1. Pilot seat disc in synthetic Ruby

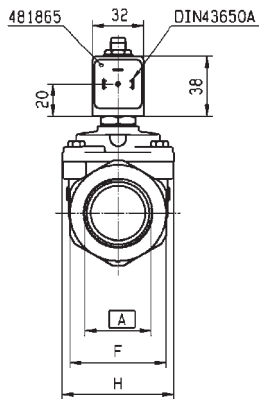
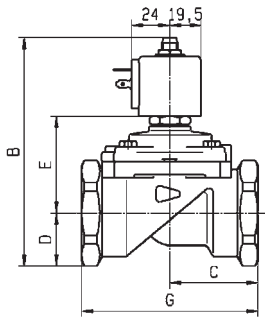


| For this page | Port size | Orifice (mm) | Kv (l/min) | MOPD (bar) | Fluid Temp (°C) |
|---------------|-----------|--------------|------------|------------|-----------------|
| From          | 1 1/2"    | 40           | 420        | 7          | -10             |
| To            | 2"        | 40           | 540        | 16         | 120             |



|               | RACCORD(A) | B     | C  | D    | E  | F  | G   | H  |
|---------------|------------|-------|----|------|----|----|-----|----|
| U321G3690     | BSP 3/4"   | 135   | 50 | 23   | 54 | 41 | 100 | 70 |
| 321G3750      | BSP 1"     | 135   | 50 | 23   | 54 | 41 | 100 | 70 |
| 321/L321G3690 | BSP 1 1/2" | 158   | 75 | 33   | 67 | 60 | 140 | 99 |
| 321/L321G4090 | BSP 2"     | 172.5 | 60 | 41.5 | 73 | 75 | 150 | 99 |

Drawing 8113



|                 | RACCORD(A) | B     | C  | D    | E    | F  | G   | H  |
|-----------------|------------|-------|----|------|------|----|-----|----|
| 321/322/E321G36 | BSP 3/4"   | 121   | 50 | 23   | 54   | 41 | 100 | 70 |
| 321/322/E321G37 | BSP 1"     | 121   | 50 | 23   | 54   | 41 | 100 | 70 |
| 321/322/E321G38 | BSP 1 1/4" | 137.5 | 55 | 33   | 60.5 | 60 | 110 | 70 |
| 321/322/E321G39 | BSP 1 1/2" | 144   | 75 | 33   | 67   | 60 | 140 | 99 |
| 321G3965/G3967  | 1/4"       | 144   | 75 | 33   | 67   | 60 | 140 | 99 |
| U321/L322G40    | BSP 2"     | 156.5 | 60 | 41.5 | 73   | 75 | 150 | 99 |

Drawing 3442